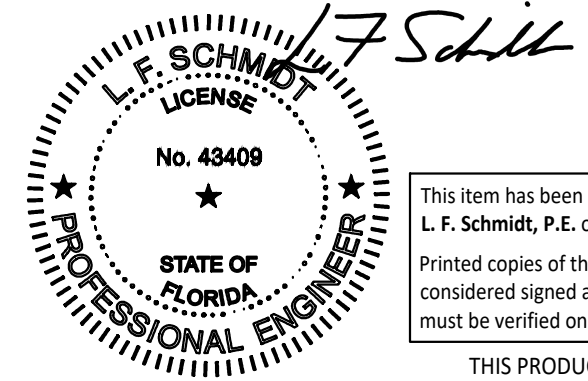


THERMA-TRU[®] DOORS

Fiber-Classic[®] & Smooth-Star[®]



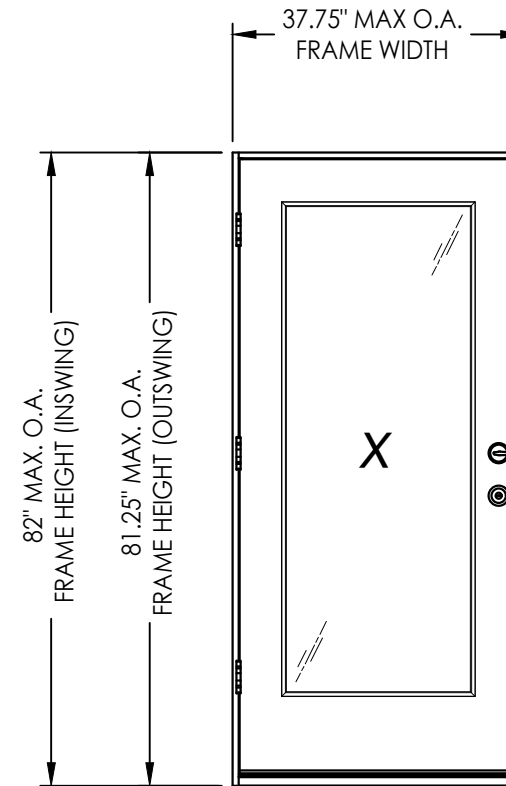
This item has been digitally signed and sealed by L. F. Schmidt, P.E. on the date adjacent to the seal. Printed copies of this document are not considered signed and sealed and the signature must be verified on any electronic copies.

THIS PRODUCT APPROVAL IS VALID ONLY FOR THE STATE OF FLORIDA

COMPOSITE EDGE FLUSH GLAZED FIBERGLASS SINGLE DOOR INSWING/OUTSWING "IMPACT"

GENERAL NOTES

1. This product has been evaluated and is in compliance with the 8th Edition (2023) Florida Building Code (FBC) structural requirements excluding the "High Velocity Hurricane Zone" (HVHZ).
2. Product anchors shall be as listed and spaced as shown on details. Anchor embedment to base material shall be beyond wall dressing or stucco.
3. When used in areas requiring wind borne debris protection this product complies with FBC Sections 1609.1.2 & R301.2.1.2 and does not require an impact resistant covering. This product meets missile level "D" and excludes Wind Zone 4 as defined in ASTM E1996 and FBC Sections 1609.1.2.2 & R301.2.1.2.1.
4. For 2x stud framing construction, anchoring of these units shall be the same as that shown for 2x buck masonry construction.
5. Site conditions that deviate from the details of this drawing require further engineering analysis by a licensed engineer or registered architect.
6. Fiber-Classic & Smooth-Star Door panel require the use of "J" part numbers and must be stained or painted within six months of installation.



| CONFIGURATION | DESIGN PRESSURE (PSF) INSWING | | DESIGN PRESSURE (PSF) OUTSWING | |
|---------------|----------------------------------|----------|-----------------------------------|----------|
| | POSITIVE | NEGATIVE | POSITIVE | NEGATIVE |
| X | +50.0 | -50.0 | +50.0 | -50.0 |

| TABLE OF CONTENTS | |
|-------------------|--|
| SHEET # | DESCRIPTION |
| 1 | Typical Elevations, Design Pressures & General Notes |
| 2 | Door Panel Details |
| 3 | Glazing Details |
| 4 | Elevations |
| 5 | Horizontal & Vertical Cross Sections (2X Buck) |
| 6 | Horizontal & Vertical Cross Sections (1X Buck) |
| 7 | Horizontal & Vertical Cross Sections (Direct to Masonry) |
| 8 | Vertical Cross Sections (Thresholds) |
| 9 | Buck & Frame Anchoring |
| 10 | Hardware Details |
| 11 | Bill of Materials & Components |

Documents Prepared By:
Lyndon F. Schmidt
P.E. No. 43409

RW BUILDING CONSULTANTS, INC.
P.O. Box 230, Valrico, FL 33595
Phone No.: 813.659.9197
FBPE Registry No. 9813

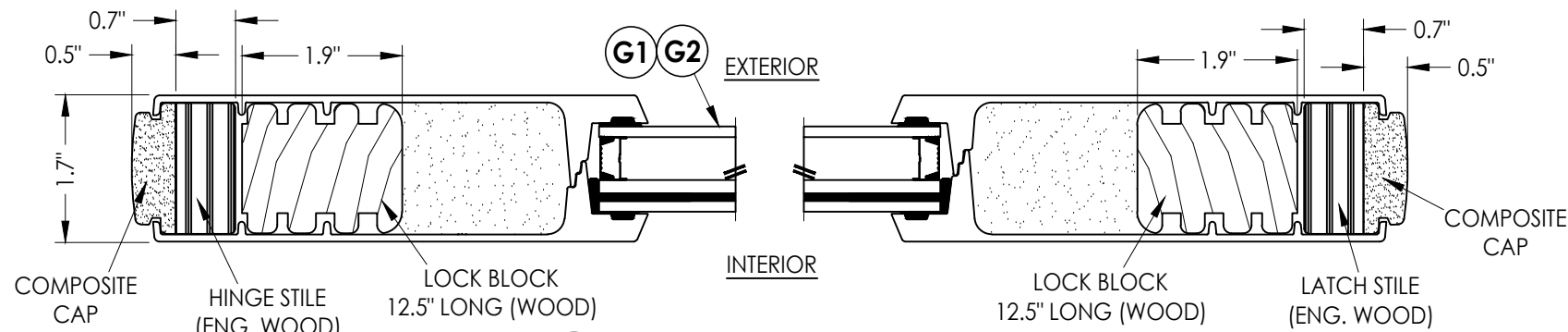
PRODUCT:
THERMA-TRU
FIBERGLASS DOOR

PART OR ASSEMBLY:
TYPICAL ELEVATION, DESIGN
PRESSURES & GENERAL NOTES

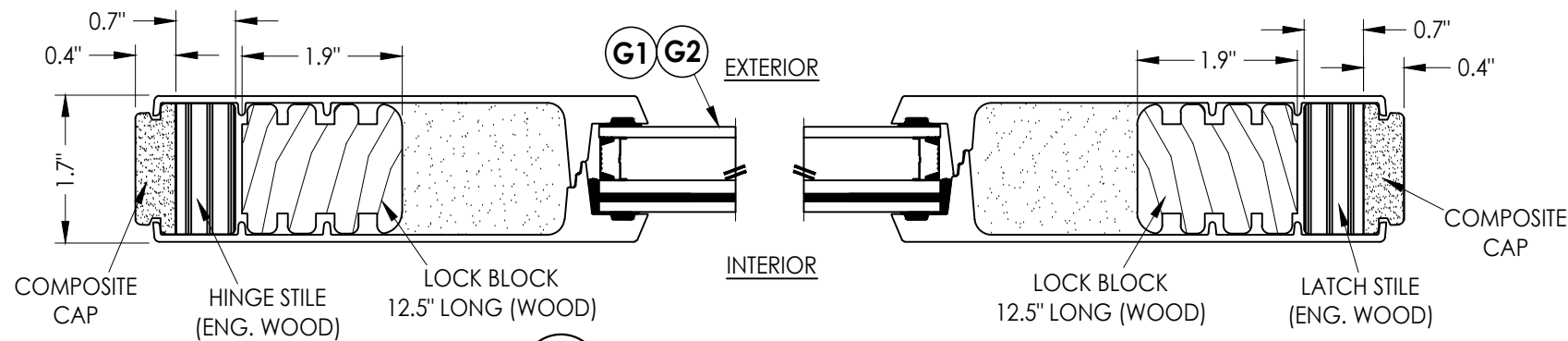
| NO. | DATE | BY | REVISIONS |
|-----|------|----|-----------|
| | | | |
| | | | |
| | | | |
| | | | |

DATE: 6/17/24
SCALE: N.T.S.
DWG. BY: LFS
CHK. BY: RW
DRAWING NO.:
FL-46832.1
SHEET 1 OF 11

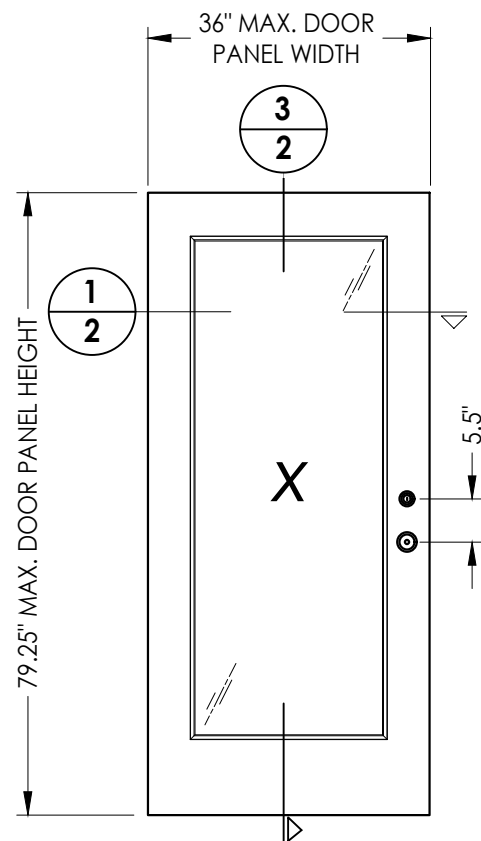
Z:\2023 FBC Drawings\Therma-Tru\FL-46832\FL-46832.1-3.dwg



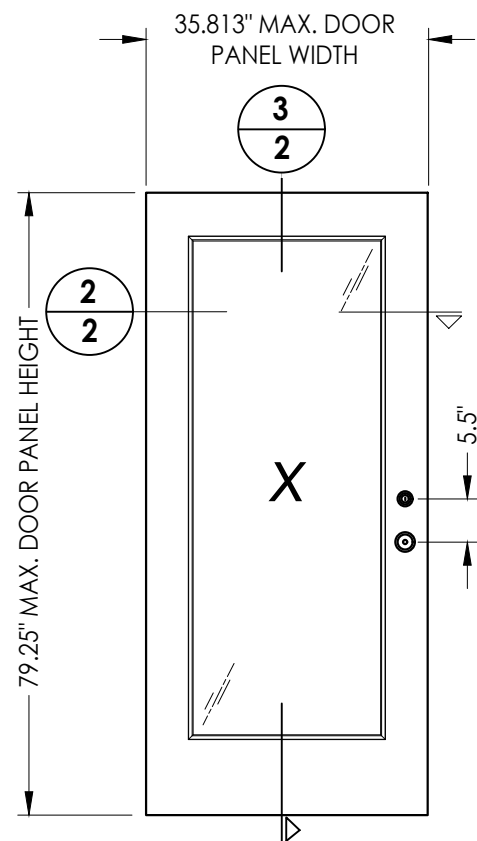
1
2 HORIZONTAL CROSS SECTION



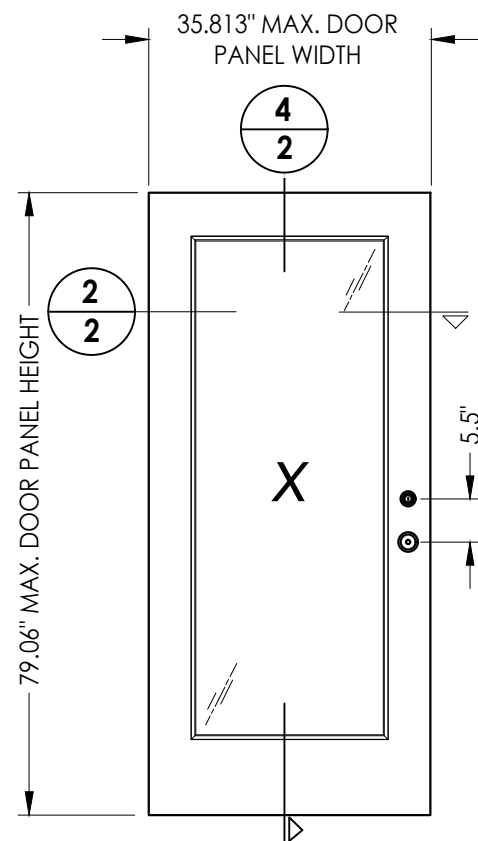
2
2 HORIZONTAL CROSS SECTION



40 FIBERGLASS DOOR PANEL
BOOK DOOR - COMPOSITE EDGE

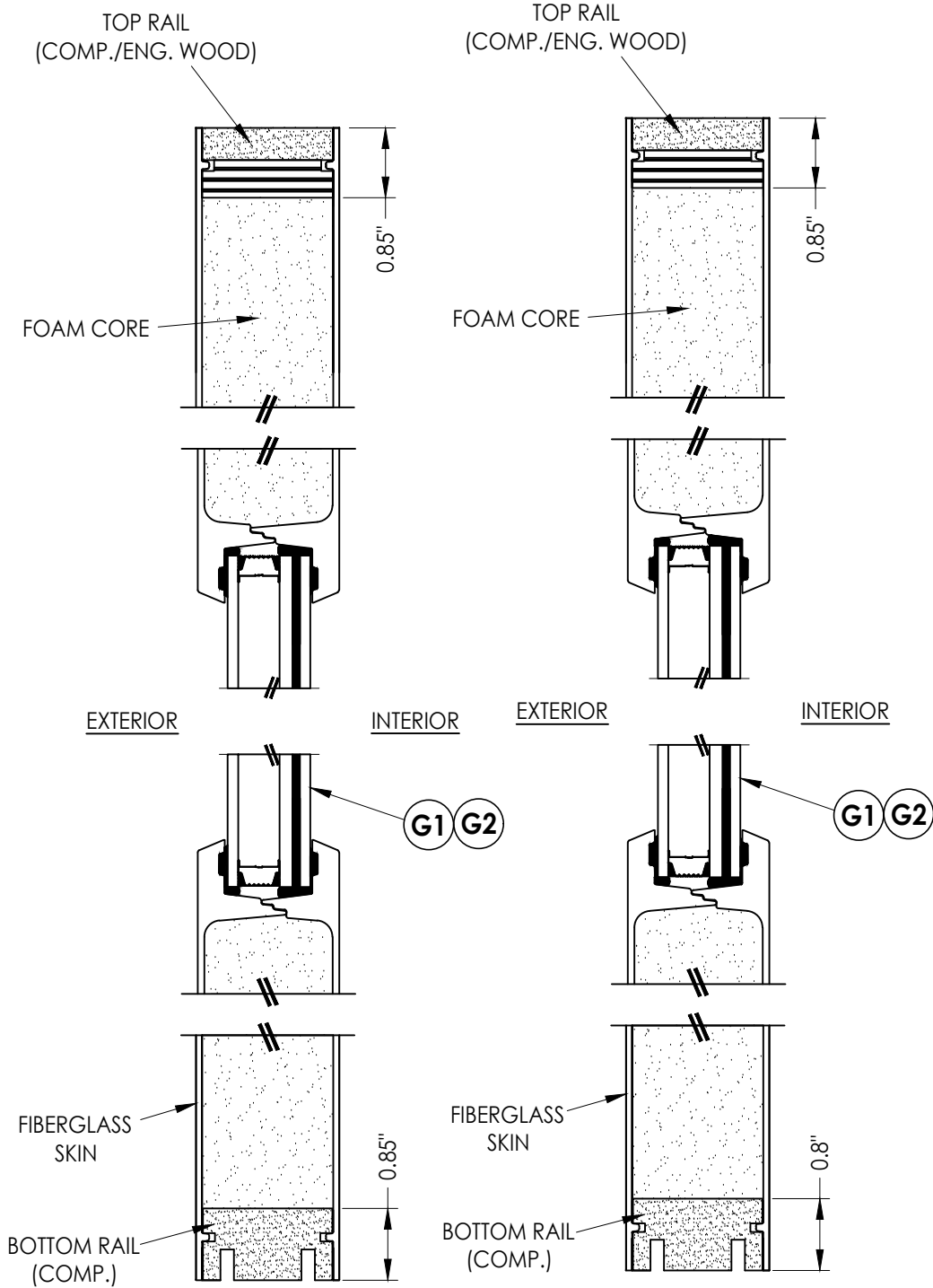


41 FIBERGLASS DOOR PANEL
HYBRID DOOR - COMPOSITE EDGE



42 FIBERGLASS DOOR PANEL
U1 DOOR - COMPOSITE EDGE

FIBERGLASS SKIN: 0.077" MIN. THK.
FOAM CORE: POLYURETHANE -1.9 PCF MIN.



3
2 VERTICAL CROSS SECTION

4
2 VERTICAL CROSS SECTION

Documents Prepared By:
Lyndon F. Schmidt
P.E. No. 43409

RW BUILDING CONSULTANTS, INC.
P.O. Box 230, Valrico, FL 33595
Phone No.: 813.659.9197
FBPE Registry No. 9813

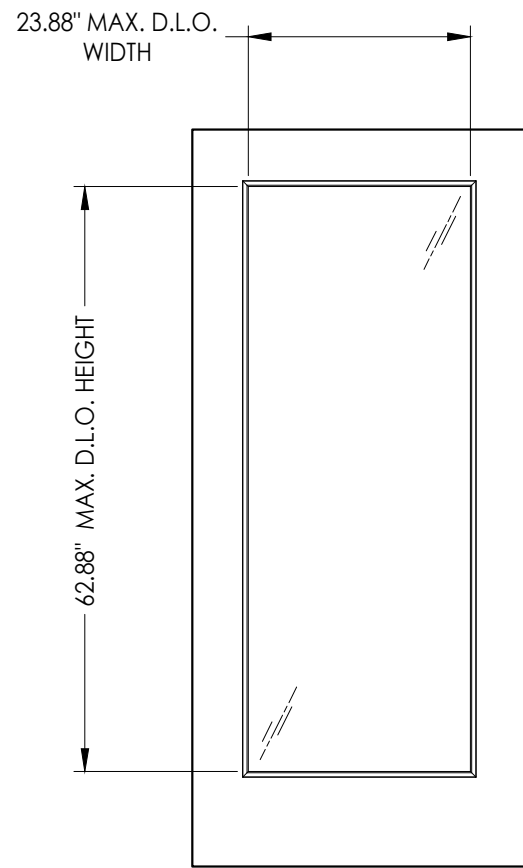
PRODUCT:
THERMA-TRU
FIBERGLASS DOOR

PART OR ASSEMBLY:
DOOR PANEL DETAILS

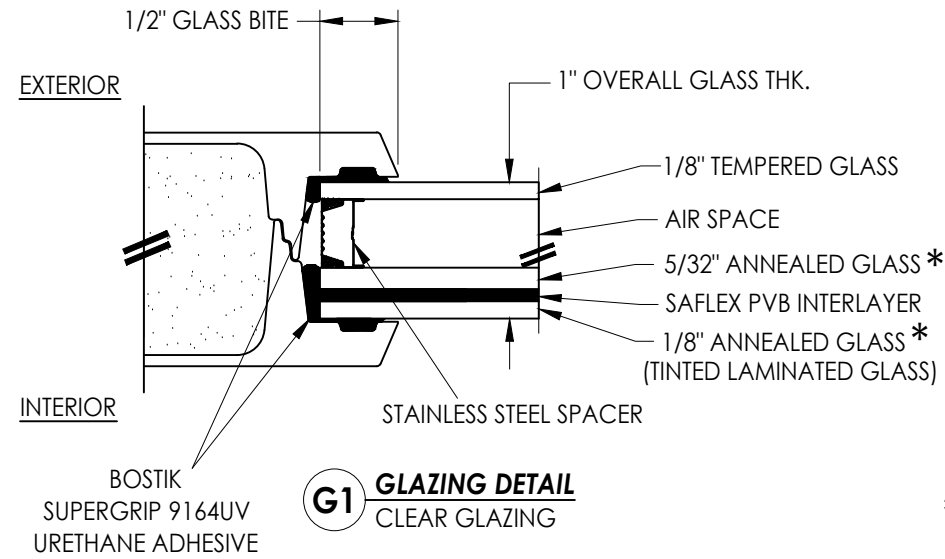
| NO. | DATE | BY | REVISIONS |
|-----|------|----|-----------|
| | | | |
| | | | |
| | | | |
| | | | |

DATE: 6/17/24
SCALE: N.T.S.
DWG. BY: LFS
CHK. BY: RW
DRAWING NO.: FL-46832.1
SHEET 2 OF 11

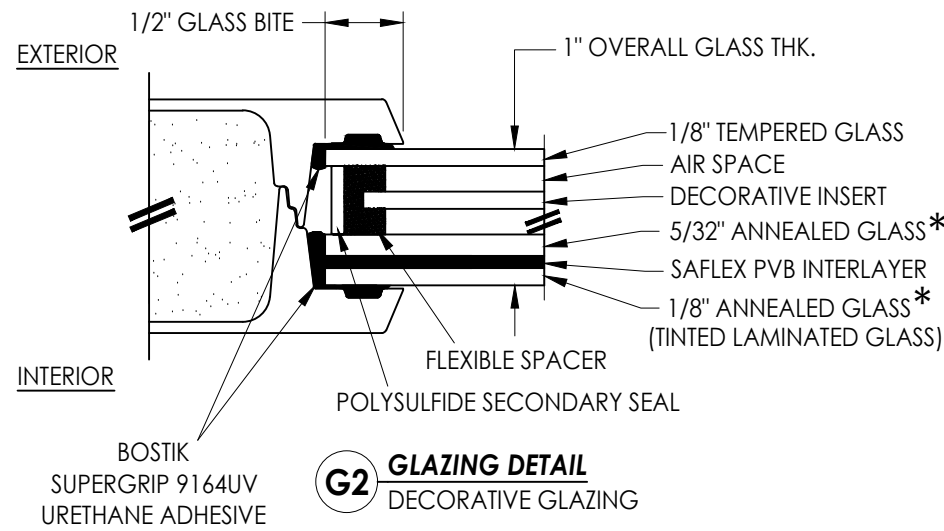
© 2024 RW BUILDING CONSULTANTS INC.



6'-8" FLUSH GLAZING



* NOTE: THE LAMINATED GLASS MAY BE FLIPPED SO THAT THE 5/32" ANNEALED GLASS IS ADJACENT TO THE FLUSH GLAZING FRAME.



Documents Prepared By:
Lyndon F. Schmidt
P.E. No. 43409

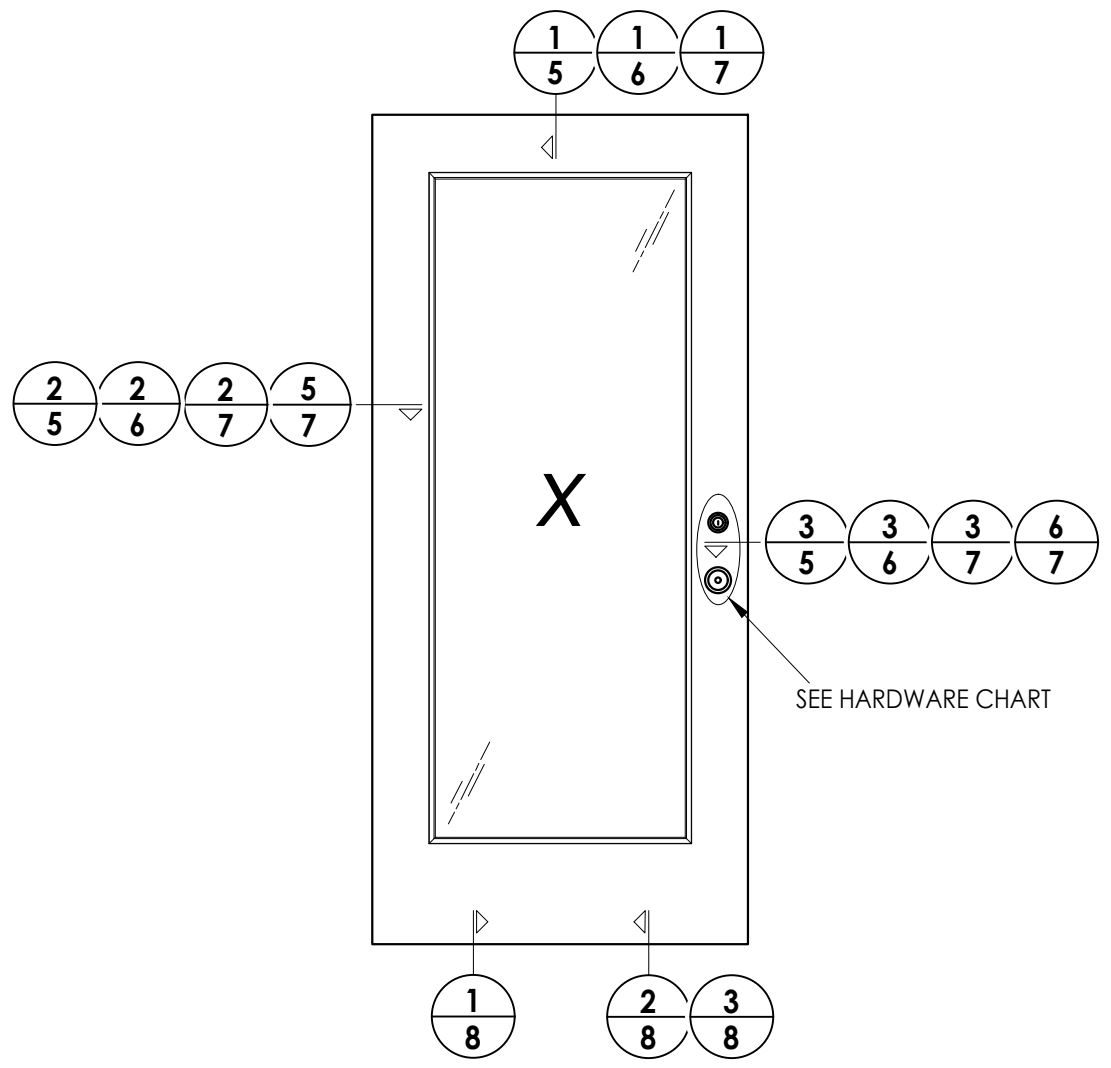
RW BUILDING CONSULTANTS, INC.
P.O. Box 230, Valrico, FL 33595
Phone No.: 813.659.9197
FBPE Registry No. 9813

PRODUCT: THERMA-TRU
FIBERGLASS DOOR

PART OR ASSEMBLY:
GLAZING DETAILS

| NO. | DATE | BY | REVISIONS |
|-----|------|----|-----------|
| | | | |
| | | | |
| | | | |
| | | | |

DATE: 6/17/24
SCALE: N.T.S.
DWG. BY: LFS
CHK. BY: RW
DRAWING NO.: FL-46832.1
SHEET 3 OF 11



| HARDWARE TABLE | |
|-----------------------|--|
| MANUFACTURER | MODEL |
| SCHLAGE | KNOB: F51 DEADBOLT: B60 |
| KWIKSET | KNOB: SIGNATURE SERIES DEADBOLT: SIGNATURE SERIES (980) |
| HOPPE (THERMA-TRU) | MULTIPOINT : MPDGART (3 pt. Manual Tongue) |

DATE: 6/17/24
 SCALE: N.T.S.
 DWG. BY: LFS
 CHK. BY: RW
 DRAWING NO.:
 FL-46832.1
 SHEET 4 OF 11

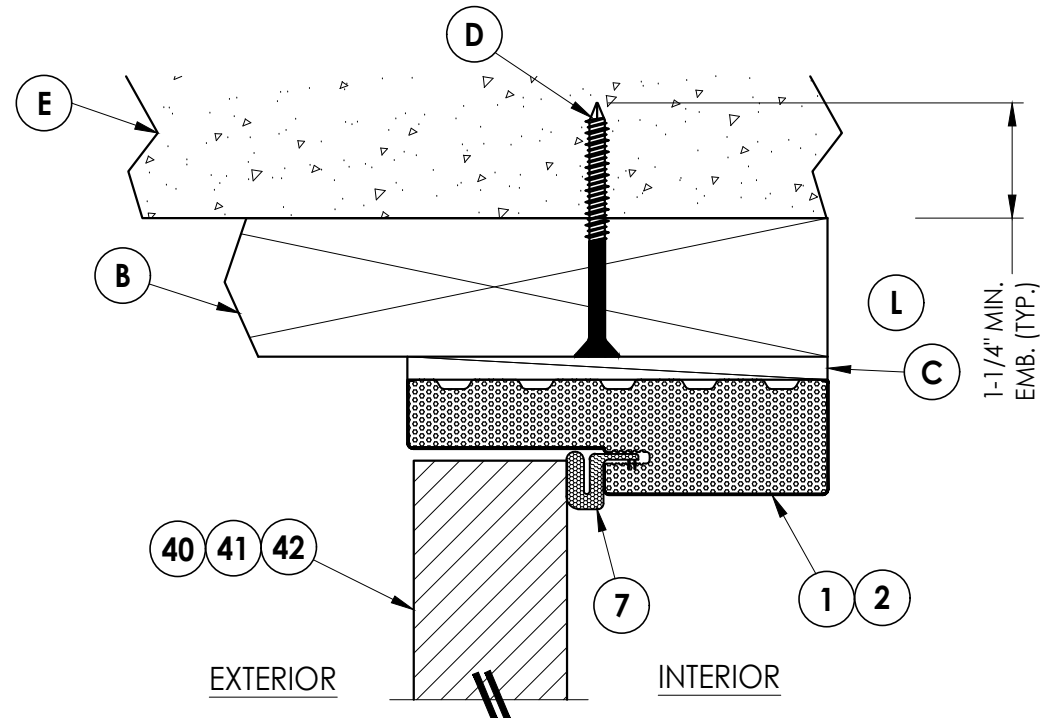
| NO. | DATE | REVISIONS | BY |
|-----|------|-----------|----|
| | | | |
| | | | |
| | | | |
| | | | |
| | | | |
| | | | |
| | | | |
| | | | |
| | | | |
| | | | |

PRODUCT:
 THERMA-TRU
 FIBERGLASS DOOR

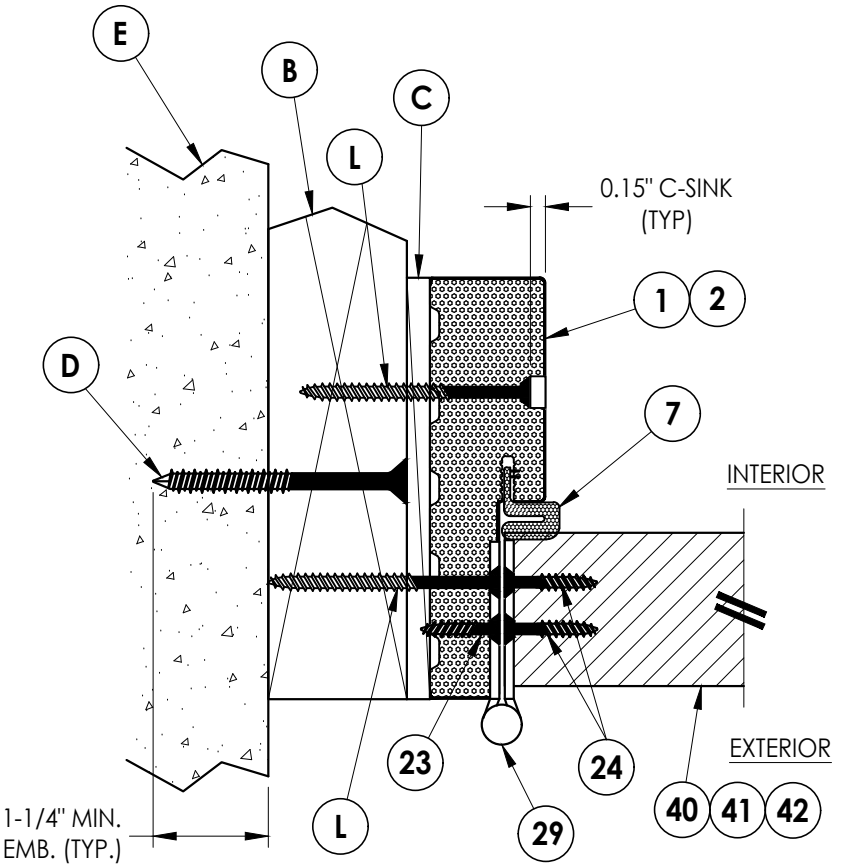
PART OR ASSEMBLY:
 ELEVATIONS

Documents Prepared By:
 Lyndon F. Schmidt
 P.E. No. 43409

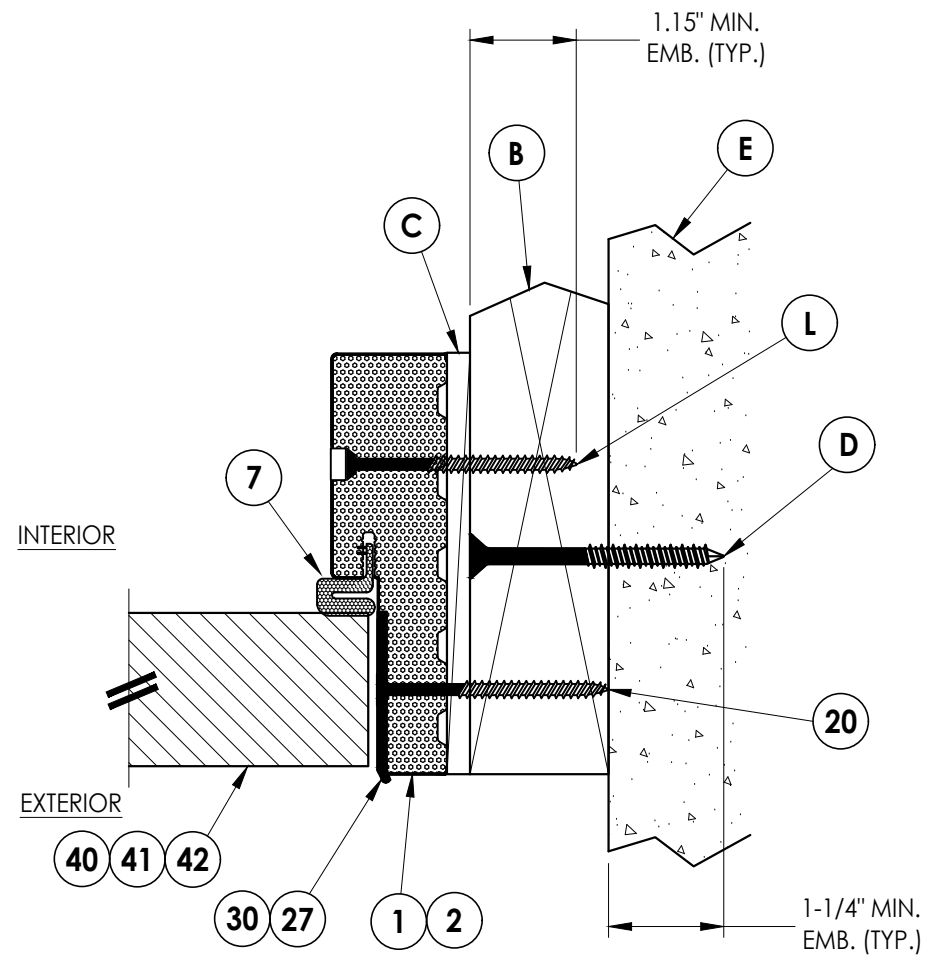
RW BUILDING CONSULTANTS, INC.
 P.O. Box 230, Valrico, FL 33595
 Phone No.: 813.659.9197
 FBPE Registry No. 9813



1 VERTICAL CROSS SECTION
5 Shown w/ 2X Buck
 Outswing shown (Inswing similar)



2 HORIZONTAL CROSS SECTION
5 Shown w/ 2X Buck
 Outswing shown (Inswing similar)



3 HORIZONTAL CROSS SECTION
5 Shown w/ 2X Buck
 Outswing shown (Inswing similar)

Documents Prepared By:
 Lyndon F. Schmidt
 P.E. No. 43409

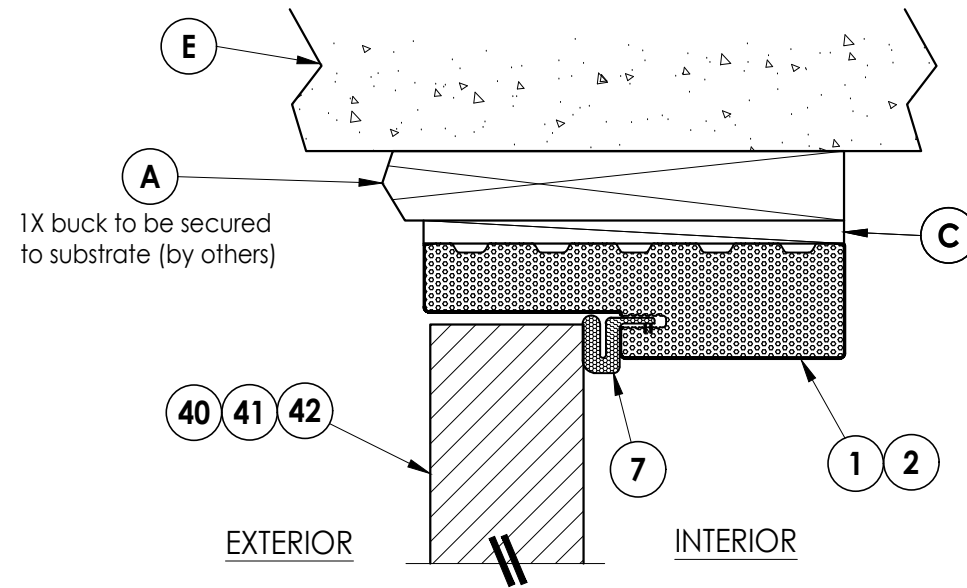
RW BUILDING CONSULTANTS, INC.
 P.O. Box 230, Valrico, FL 33595
 Phone No.: 813.659.9197
 FBPE Registry No. 9813

PRODUCT:
 THERMA-TRU
 FIBERGLASS DOOR

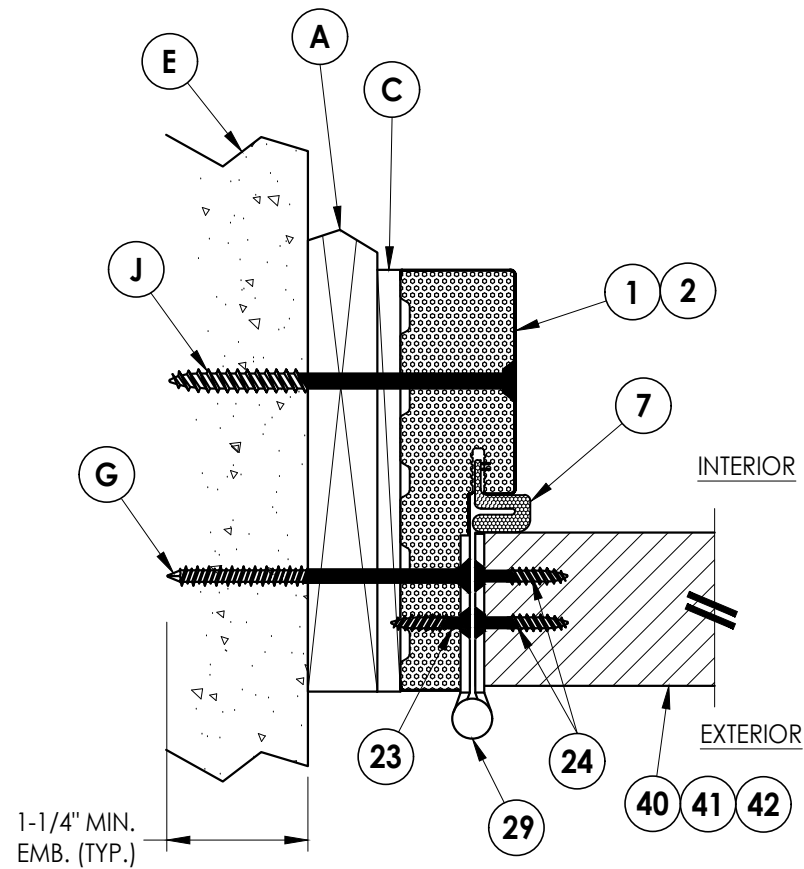
PART OR ASSEMBLY:
 HORIZONTAL & VERTICAL
 CROSS SECTIONS (2X BUCK)

| NO. | DATE | BY |
|-----|------|----|
| | | |
| | | |
| | | |
| | | |

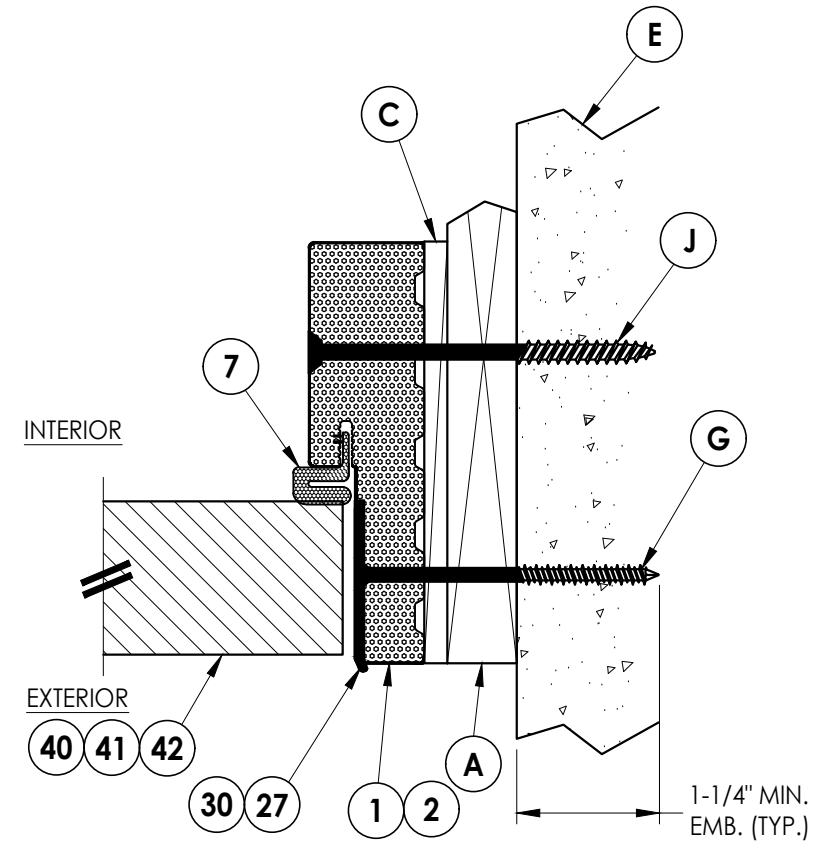
DATE: 6/17/24
 SCALE: N.T.S.
 DWG. BY: LFS
 CHK. BY: RW
 DRAWING NO.:
 FL-46832.1
 SHEET 5 OF 11



1 VERTICAL CROSS SECTION
 6 Shown w/ 1X sub-buck
 Outswing shown (Inswing similar)



2 HORIZONTAL CROSS SECTION
 6 Shown w/ 1X sub-buck
 Outswing shown (Inswing similar)



3 HORIZONTAL CROSS SECTION
 6 Shown w/ 1X sub-buck
 Outswing shown (Inswing similar)

Documents Prepared By:
 Lyndon F. Schmidt
 P.E. No. 43409

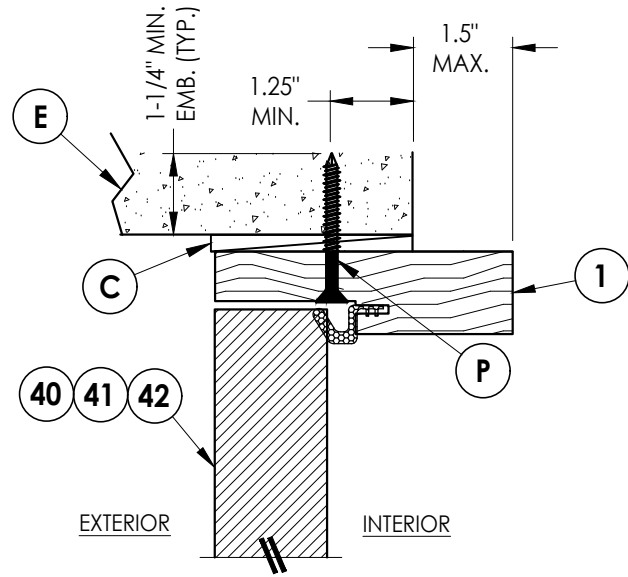
RW BUILDING CONSULTANTS, INC.
 P.O. Box 230, Valrico, FL 33595
 Phone No.: 813.659.9197
 FBPE Registry No. 9813

PRODUCT:
 THERMA-TRU
 FIBERGLASS DOOR

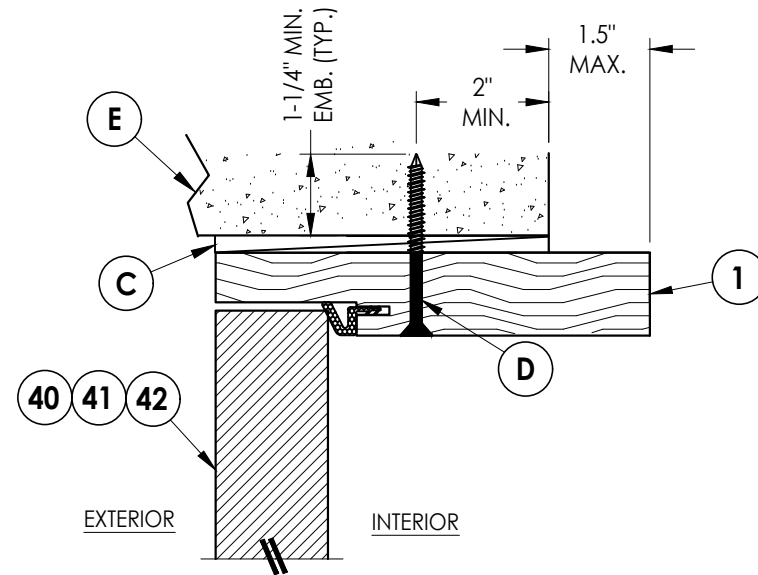
PART OR ASSEMBLY:
 HORIZONTAL & VERTICAL
 CROSS SECTIONS (1X BUCK)

| NO. | DATE | BY | REVISIONS |
|-----|------|----|-----------|
| | | | |
| | | | |
| | | | |
| | | | |

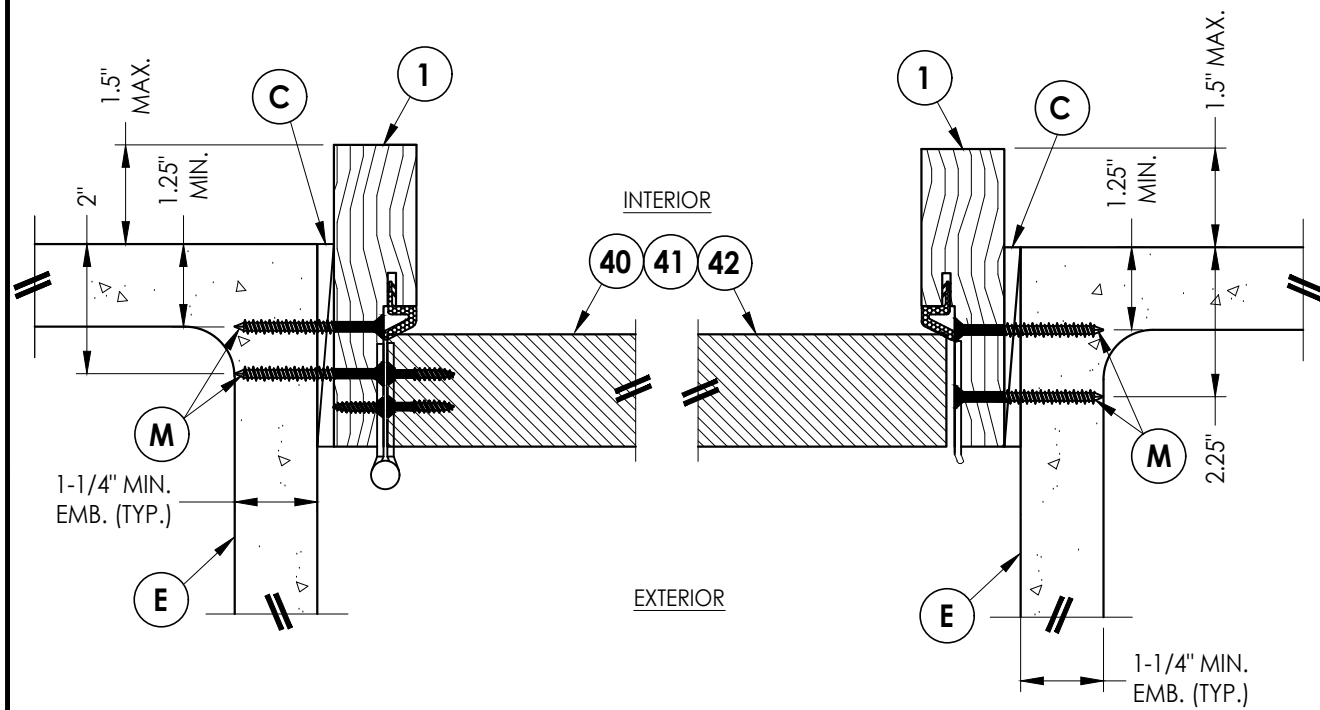
DATE: 6/17/24
 SCALE: N.T.S.
 DWG. BY: LFS
 CHK. BY: RW
 DRAWING NO.:
 FL-46832.1
 SHEET 6 OF 11



1 **VERTICAL CROSS SECTION**
7 Shown Direct to Masonry
 Outswing only w/ 4-9/16" jamb

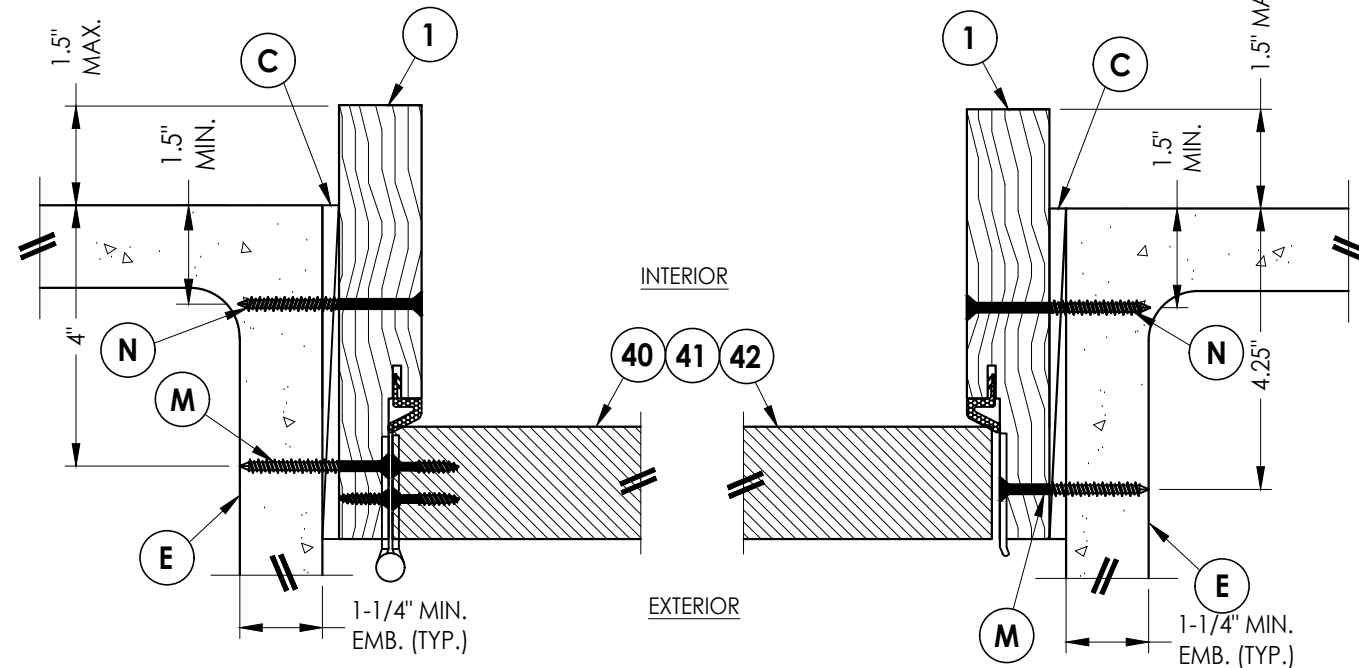


4 **VERTICAL CROSS SECTION**
7 Shown Direct to Masonry
 Outswing only w/ 6-9/16" jamb



2 **HORIZONTAL CROSS SECTION**
7 Shown Direct to Masonry
 Outswing only w/ 4-9/16" jamb

3 **HORIZONTAL CROSS SECTION**
7 Shown Direct to Masonry
 Outswing only w/ 4-9/16" jamb



5 **HORIZONTAL CROSS SECTION**
7 Shown Direct to Masonry
 Outswing only w/ 6-9/16" jamb

6 **HORIZONTAL CROSS SECTION**
7 Shown Direct to Masonry
 Outswing only w/ 6-9/16" jamb

Documents Prepared By:
 Lyndon F. Schmidt
 P.E. No. 43409

RW BUILDING CONSULTANTS, INC.
 P.O. Box 230, Valrico, FL 33595
 Phone No.: 813.659.9197
 FBPE Registry No. 9813

PRODUCT:
 THERMA-TRU
 FIBERGLASS DOOR

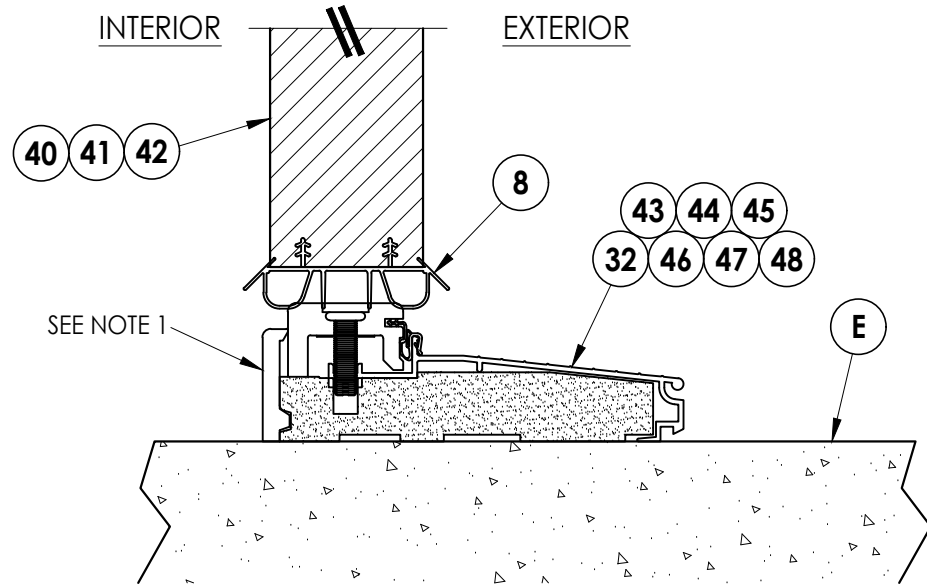
PART OR ASSEMBLY:
 HORIZONTAL & VERTICAL
 SECTIONS (DIRECT TO MASONRY)

| NO. | DATE | BY | REVISIONS |
|-----|------|----|-----------|
| | | | |
| | | | |
| | | | |

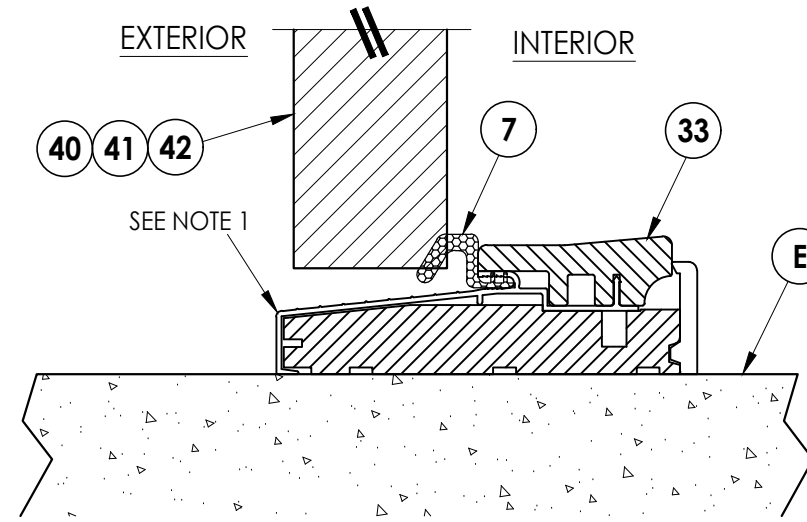
DATE: 6/17/24
 SCALE: N.T.S.
 DWG. BY: LFS
 CHK. BY: RW
 DRAWING NO.: FL-46832.1
 SHEET 7 OF 11

Note:

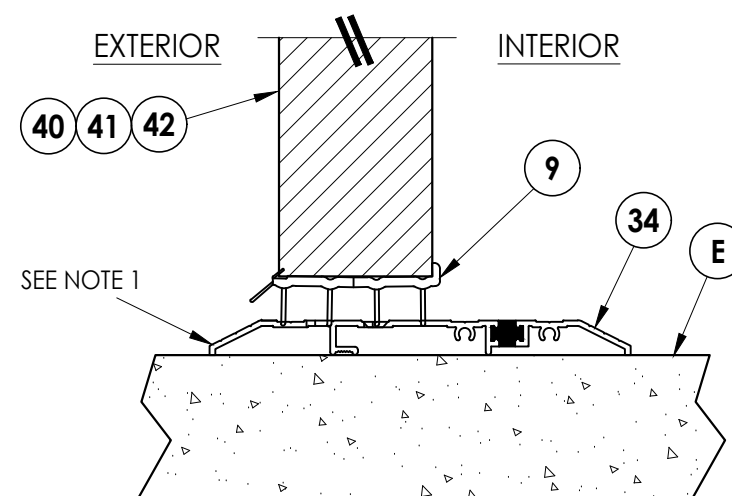
- 1. Sill Item #32, #43-48 are attached to jambs w/ (3) #8 X 2-1/2" pfh screws at each end.
- Sill Item #33 is attached to jambs w/ (2) #8 X 2-1/2" pfh screws at each end.
- Sill Item #34 is attached to jambs utilizing (2) #10 X 2" pph SMS at each end.



1 VERTICAL CROSS SECTION
8 Inswing Sill



2 VERTICAL CROSS SECTION
8 Outswing Sill



3 VERTICAL CROSS SECTION
8 Public Access Sill

Documents Prepared By:
Lyndon F. Schmidt
P.E. No. 43409

RW BUILDING CONSULTANTS, INC.
P.O. Box 230, Valrico, FL 33595
Phone No.: 813.659.9197
FBPE Registry No. 9813

PRODUCT:
THERMA-TRU
FIBERGLASS DOOR

PART OR ASSEMBLY:
VERTICAL CROSS
SECTIONS (THRESHOLDS)

| NO. | DATE | BY | REVISIONS |
|-----|------|----|-----------|
| | | | |
| | | | |
| | | | |
| | | | |

DATE: 6/17/24

SCALE: N.T.S.

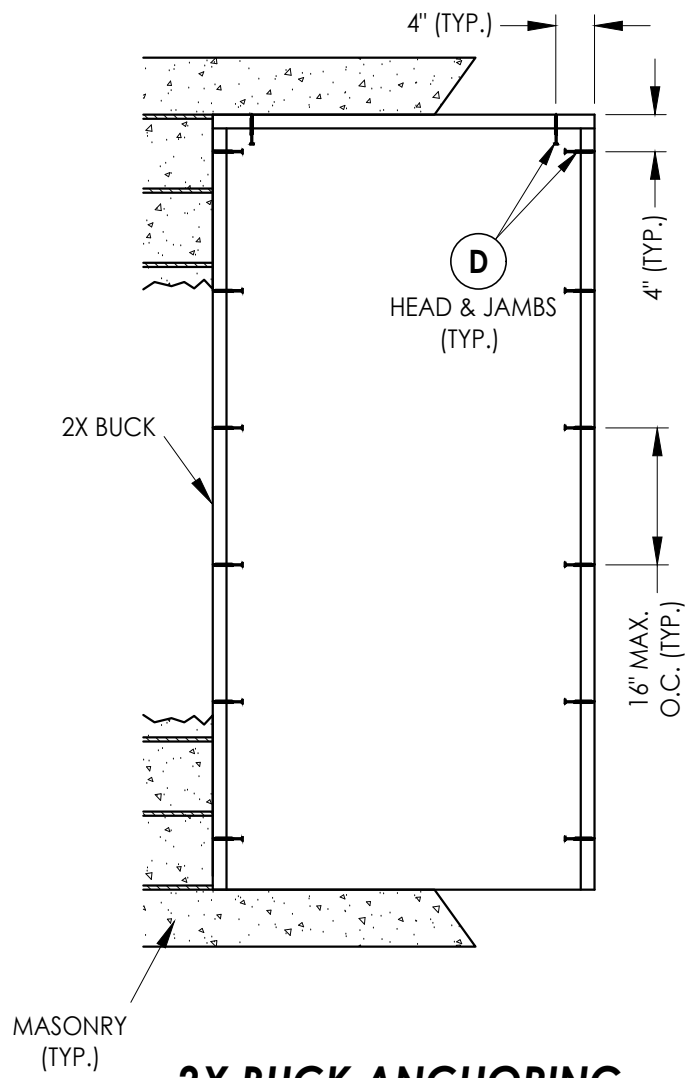
DWG. BY: LFS

CHK. BY: RW

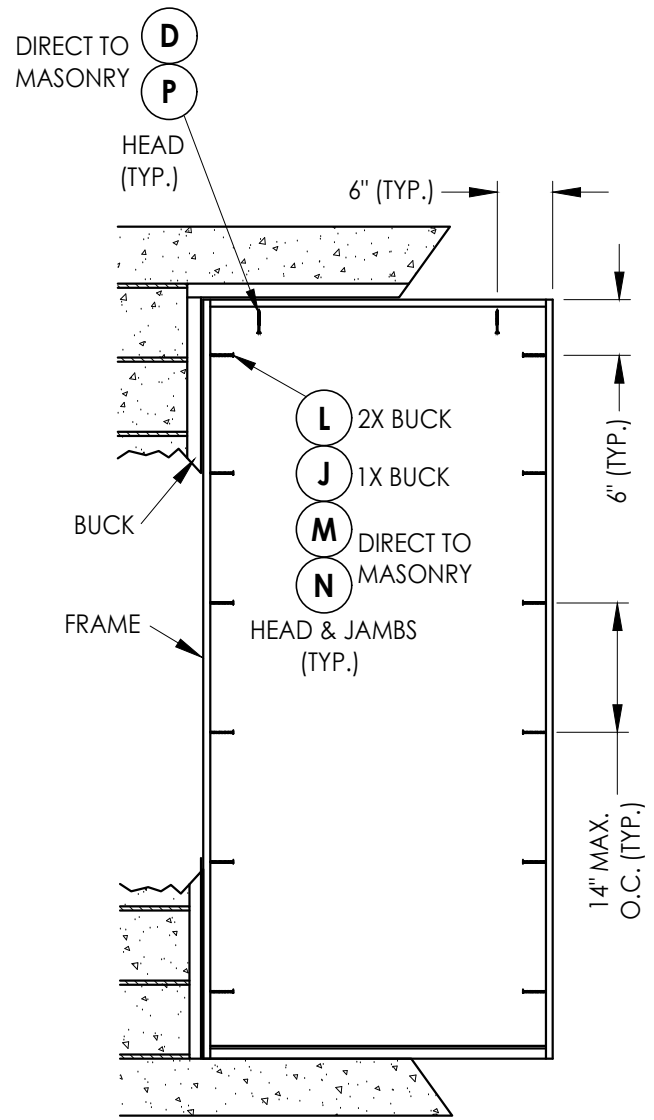
DRAWING NO.:

FL-46832.1

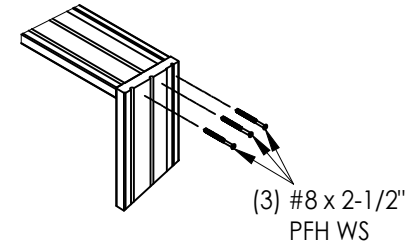
SHEET 8 OF 11



2X BUCK ANCHORING



FRAME ANCHORING



JAMB TO HEAD DETAIL (TYP.)

Documents Prepared By:
Lyndon F. Schmidt
P.E. No. 43409

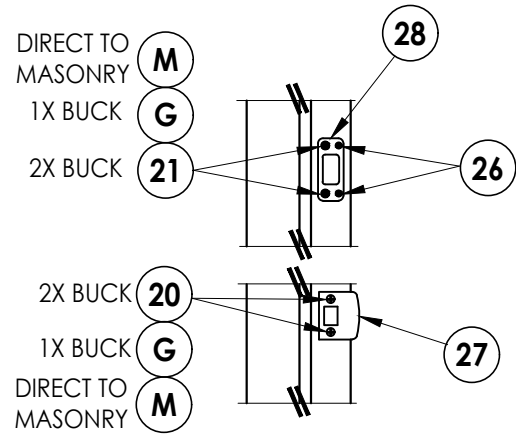
RW BUILDING CONSULTANTS, INC.
P.O. Box 230, Vairico, FL 33595
Phone No.: 813.659.9197
FBPE Registry No. 9813

PRODUCT: THERMA-TRU FIBERGLASS DOOR

PART OR ASSEMBLY: BUCK & FRAME ANCHORING

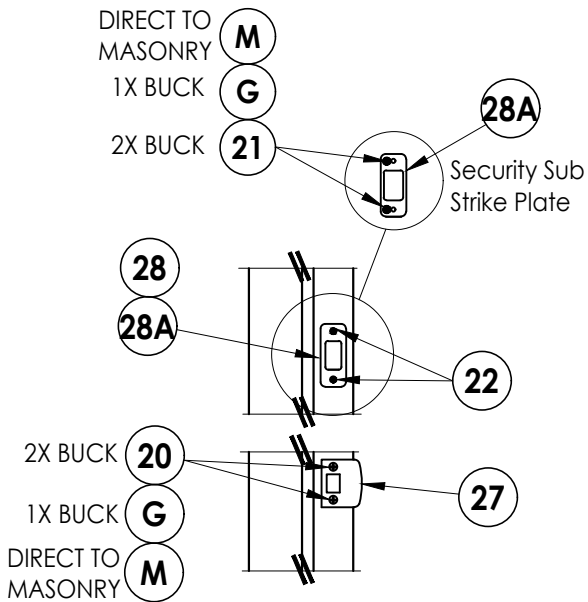
| NO. | DATE | BY | REVISIONS |
|-----|------|----|-----------|
| | | | |
| | | | |
| | | | |
| | | | |
| | | | |

DATE: 6/17/24
SCALE: N.T.S.
DWG. BY: LFS
CHK. BY: RW
DRAWING NO.: FL-46832.1
SHEET 9 OF 11



LATCH & DEADBOLT DETAIL

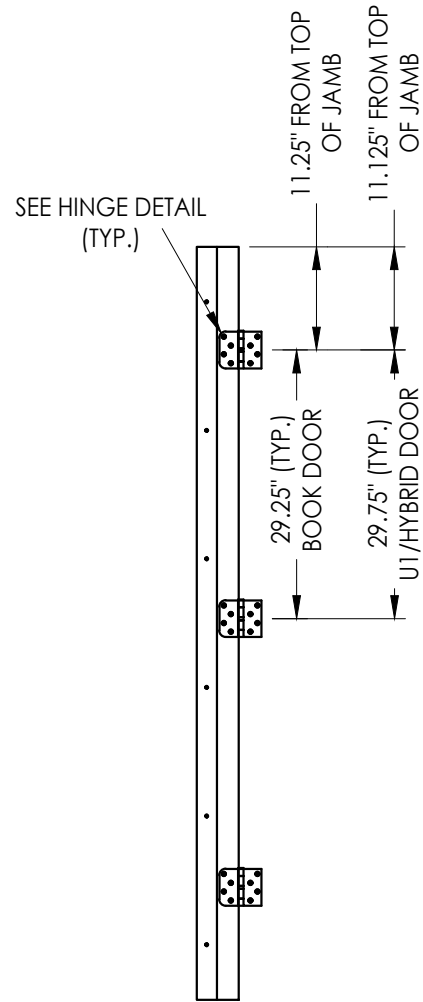
Kwikset



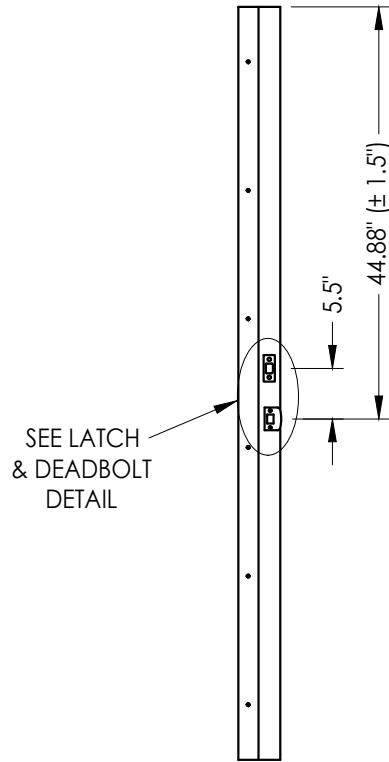
LATCH & DEADBOLT DETAIL

Schlage

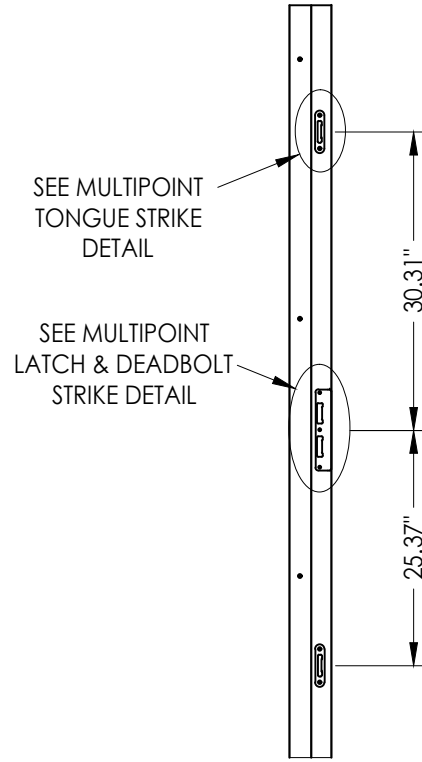
LATCH & DEADBOLT STRIKE DETAILS



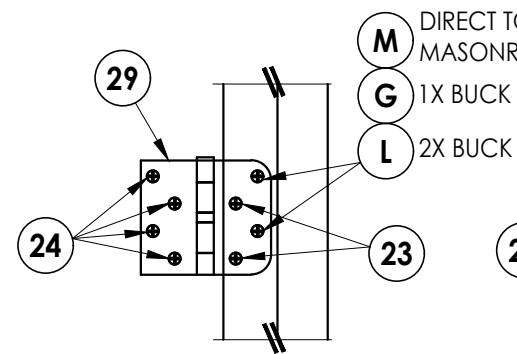
HINGE JAMB



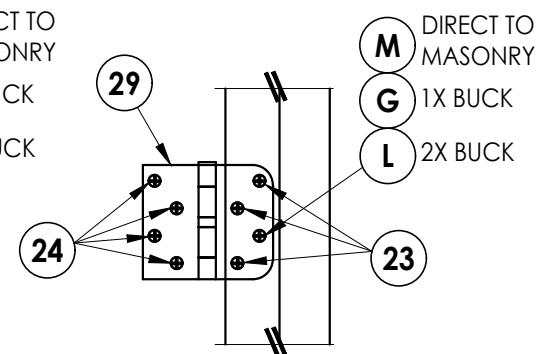
STRIKE JAMB
Latch & Deadbolt



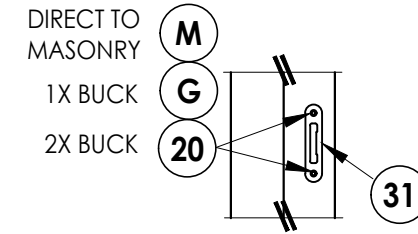
STRIKE JAMB
Multipoint Lock



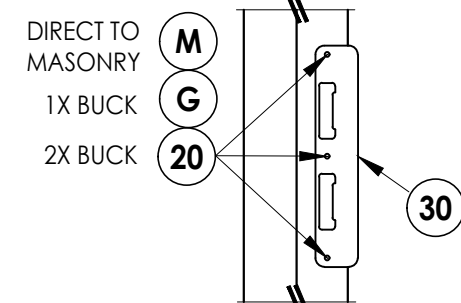
HINGE DETAIL
Inswing



HINGE DETAIL
Outswing



MULTIPOINT TONGUE STRIKE PLATE DETAIL



MULTIPOINT LATCH & DEADBOLT STRIKE PLATE DETAIL

Documents Prepared By:
Lyndon F. Schmidt
P.E. No. 43409

RW BUILDING CONSULTANTS, INC.
P.O. Box 230, Valrico, FL 33595
Phone No.: 813.659.9197
FBPE Registry No. 9813

PRODUCT: THERMA-TRU
FIBERGLASS DOOR

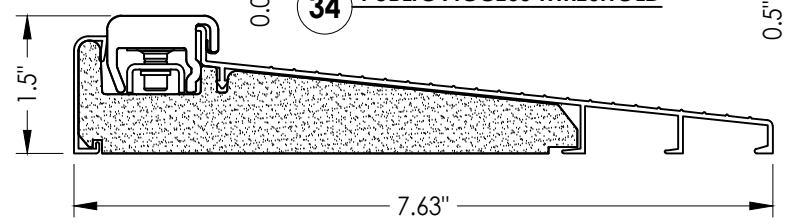
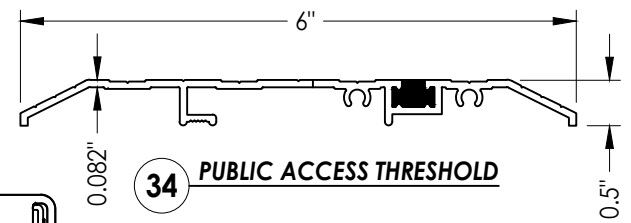
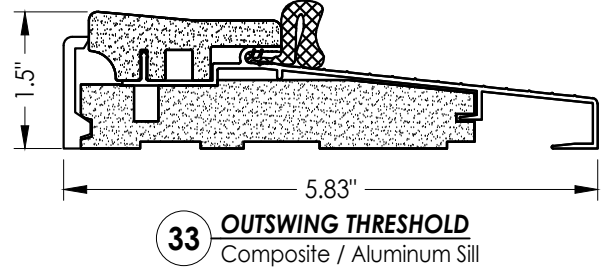
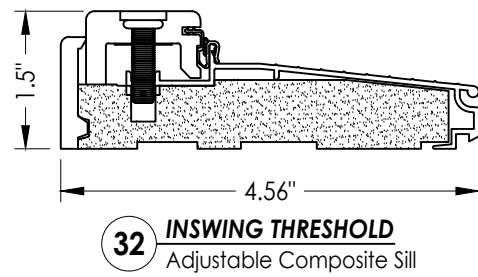
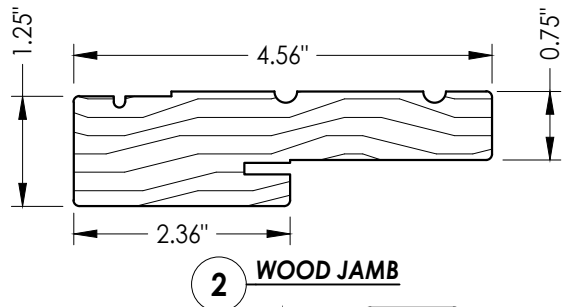
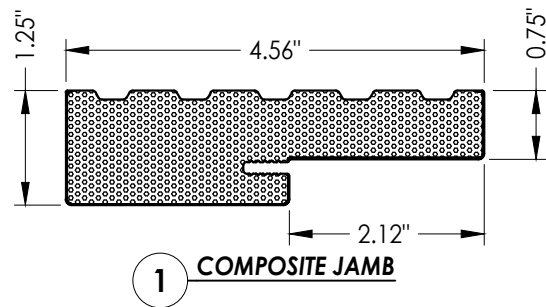
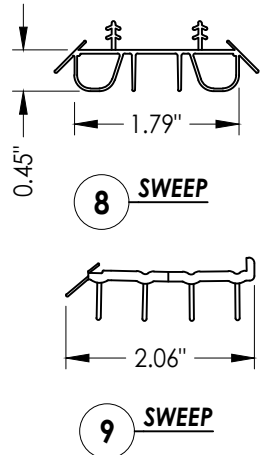
PART OR ASSEMBLY:
HARDWARE DETAILS

| NO. | DATE | BY | REVISIONS |
|-----|------|----|-----------|
| | | | |
| | | | |
| | | | |
| | | | |

DATE: 6/17/24
SCALE: N.T.S.
DWG. BY: LFS
CHK. BY: RW
DRAWING NO.: FL-46832.1
SHEET 10 OF 11

| BILL OF MATERIALS | | |
|-------------------|--|----------|
| ITEM # | DESCRIPTION | MATERIAL |
| A | 1X BUCK (G >= 0.42) | WOOD |
| B | 2X BUCK (G >= 0.42) | WOOD |
| C | 1/4" MAX. SHIM SPACE | - |
| D | 1/4" X 2-3/4" PFH DeWALT OR ITW CONCRETE SCREW | STEEL |
| E | MASONRY - 3,000 PSI MIN. CONCRETE CONFORMING TO ACI 301 OR HOLLOW BLOCK CONFORMING TO ASTM C90 | CONCRETE |
| F | #10 X 2" PFH WOOD SCREW | STEEL |
| G | 3/16" X 3-1/4" PFH ITW CONCRETE SCREW | STEEL |
| J | 1/4" X 3-3/4" PFH DeWALT OR ITW CONCRETE SCREW | STEEL |
| L | #10 X 2-1/2" PFH WOOD SCREW (1.15" MIN. EMBEDMENT) | STEEL |
| M | 3/16" X 2-1/4" ITW CONCRETE SCREW | STEEL |
| N | 3/16" X 2-3/4" ITW CONCRETE SCREW | STEEL |
| P | 1/4" X 2-3/4" PFH ELCO CONCRETE SCREW | STEEL |
| 1 | COMPOSITE JAMB | COMP |
| 2 | WOOD JAMB (FINGER JOINT PINE) | WOOD |
| 7 | WEATHERSTRIP | FOAM |
| 8 | DOOR SWEEP | VINYL |
| 9 | SWEEP (USE w/ PUBLIC ACCESS THRESHOLD) | VINYL |
| 20 | #8 X 2-1/2" PFH WOOD SCREW | STEEL |
| 21 | #12 X 2-1/2" PFH WOOD SCREW | STEEL |
| 22 | #8 X 3/4" PFH WOOD SCREW | STEEL |
| 23 | #9 X 3/4" PFH WOOD SCREW | STEEL |
| 24 | #9 X 1" PFH WOOD SCREW | STEEL |

| BILL OF MATERIALS | | |
|-------------------|--|-----------|
| ITEM # | DESCRIPTION | MATERIAL |
| 26 | #8 X 5/8" PFH WOOD SCREW | STEEL |
| 27 | LATCH STRIKE PLATE | STEEL |
| 28 | DEADBOLT STRIKE PLATE | STEEL |
| 28A | DEADBOLT SUB-STRIKE PLATE | STEEL |
| 29 | 4" X 4" HINGE | STEEL |
| 30 | MULTIPOINT LATCH & DEADBOLT STRIKE PLATE | STEEL |
| 31 | MULTIPOINT TONGUE STRIKE PLATE | STEEL |
| 32 | INSWING THRESHOLD | ALUM/COMP |
| 33 | OUTSWING THRESHOLD | ALUM/COMP |
| 34 | PUBLIC ACCESS THRESHOLD | ALUM |
| 40 | DOOR PANEL (BOOK) | - |
| 41 | DOOR PANEL (HYBRID) | - |
| 42 | DOOR PANEL (U1) | - |
| 43 | INSWING THRESHOLD | ALUM/COMP |
| 44 | INSWING THRESHOLD | ALUM/COMP |
| 45 | INSWING THRESHOLD | ALUM/COMP |
| 46 | INSWING THRESHOLD | ALUM/COMP |
| 47 | INSWING THRESHOLD | ALUM/COMP |
| 48 | INSWING THRESHOLD | ALUM/COMP |



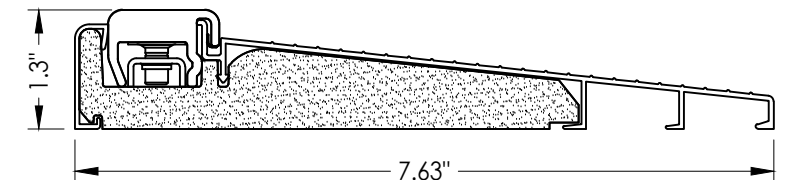
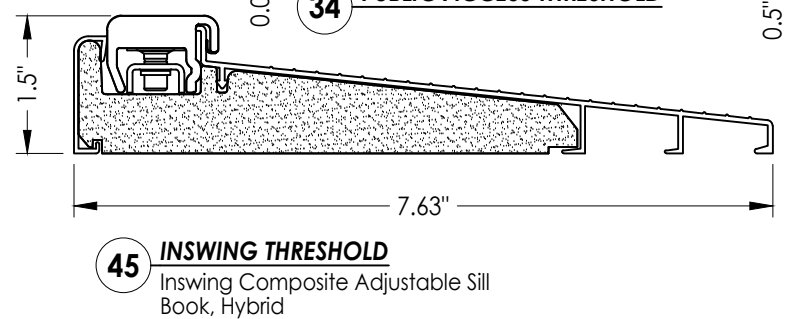
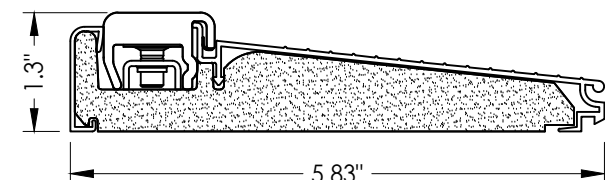
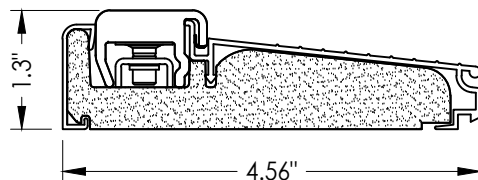
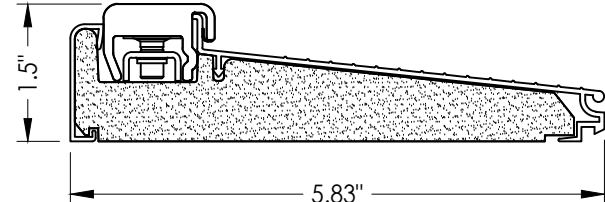
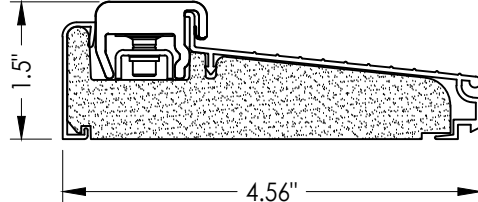
CONCRETE ANCHOR NOTES:

- Concrete anchor locations at the corners may be adjusted to maintain the min. edge distance to mortar joints.
- Concrete anchor locations noted as "MAX. ON CENTER" must be adjusted to maintain the min. edge distance to mortar joints, additional concrete anchors may be required to ensure the "MAX. ON CENTER" dimension are not exceeded.
- Concrete anchor table:

| ANCHOR TYPE | ANCHOR SIZE | MIN. EMBEDMENT | MIN. CLEARANCE TO MASONRY EDGE | MIN. CLEARANCE TO ADJACENT ANCHOR |
|------------------|-------------|----------------|--------------------------------|-----------------------------------|
| ITW TAPCON® | 1/4" | 1-1/4" | 2" | 4" |
| DeWALT ULTRACON® | 1/4" | 1-1/4" | 1" | 4" |
| ITW TAPCON® | 3/16" | 1-1/4" | AS SHOWN | AS SHOWN |

WOOD SCREW INSTALLATION NOTES:

- Maintain a minimum 5/8" edge distance, 1" end distance, & 1" o.c. spacing of wood screws to prevent the splitting of wood.



Documents Prepared By:

RW BUILDING CONSULTANTS, INC.
P.O. Box 230 Vairico FL. 33595
Phone No.: 813.659.9197
Florida Board of Professional Engineers
Certificate Of Authorization No. 98113

PRODUCT: THERMA-TRU FIBERGLASS DOOR

PART OR ASSEMBLY: BILL OF MATERIALS & COMPONENTS

| NO. | DATE | REVISIONS | BY |
|-----|------|-----------|----|
| | | | |
| | | | |
| | | | |
| | | | |

DATE: 6/17/24
SCALE: N.T.S.
DWG. BY: LFS
CHK. BY: RW
DRAWING NO.: FL-46832.1
SHEET 11 OF 11